



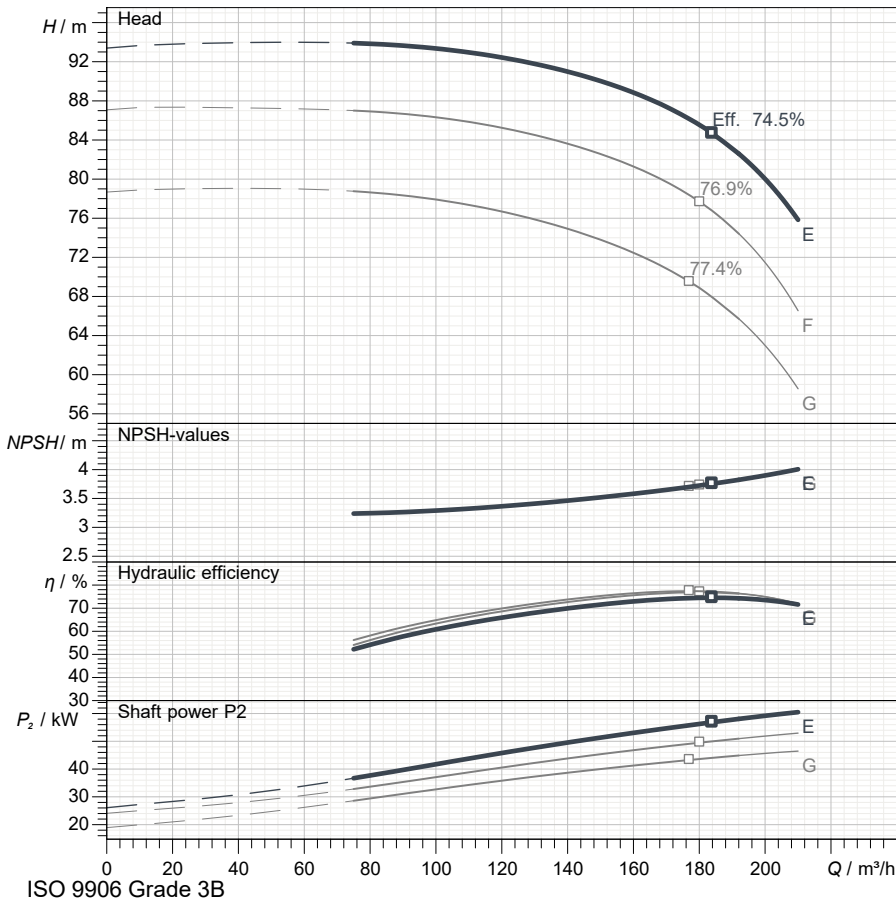
## Product description

### T3-110E-TW [3200 1/min]

Pos.no	Description	Item no	Qty.	UP / €	TP / €
1	<b>Medium head single-stage pump</b>				
2	Centrifugal pump: T3-110E-TW [3200 1/min]		1	Price on req.	Price on req.
3	<p>Pump bodies Horizontal single-stage scroll centrifugal pump with axial inlet and radially adjustable outlet.</p> <p>Duty point Flow : / Head :</p> <p>Pump operating data Impeller diameter : 239 mm / Speed : 3200 1/min Flow : / Head : Shaft power P2 : / Efficiency : Head (Q = 0) : 93.4 m PTO min-1 : 460 / Gear ratio : 6,92 Trolley : CT.2 / CT.3 / Three-point mounting : A3T</p> <p>Gear box : Cast iron PTO shaft : Case hardened steel PTO transmission gear : Case hardened steel Shaft pinion : Case hardened steel Impeller : Cast iron Pump body : Cast iron</p> <p>Max. solid contents : 40 g/m<sup>3</sup> Max. water temperature : 60 °C Max. running time with Q=0 : 2 min</p>				
4	Shaft seal: Packed gland		1		
5	<p>Stuffing-box packing : Synthetic fibers Twiner system® : Stainless steel</p>				

## Technical data

### T3-110E-TW [3200 1/min]



#### Operating data specification

Capacity	
Head	
Fluid	Pure water
Type of installation	<Single head pump>

#### Pump operating data

Design	T3-110E-TW [3200 1/min]
Impeller Ø	239 mm
Speed	3200 1/min
Flow	
Head	
Shaft power P2	
Efficiency	
Head (Q=0)	93.4 m
Non return valve loss	

#### Coupling

Gear ratio	6,92
PTO	460 1/min
Trolley	CT.2 / CT.3
Three-point mounting	A3T

#### Use limits

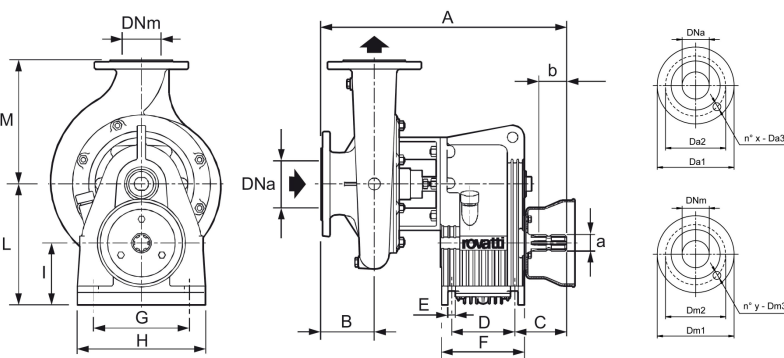
Max N° startings/hour	
Max. running time with Q=0	2 min
Max. solids contents	40 g/m³
Max. pumped liquid temperature	60 °C
Maximum density	998 kg/m³
Maximum viscosity	1 mm²/s

#### Materials

Gear box	Cast iron
PTO shaft	Case hardened steel
PTO transmission gear	Case hardened steel
Shaft pinion	Case hardened steel
Impeller	Cast iron
Pump body	Cast iron

#### Shaft seal

Stuffing-box packing	Synthetic fibers
Twinner system®	Stainless steel

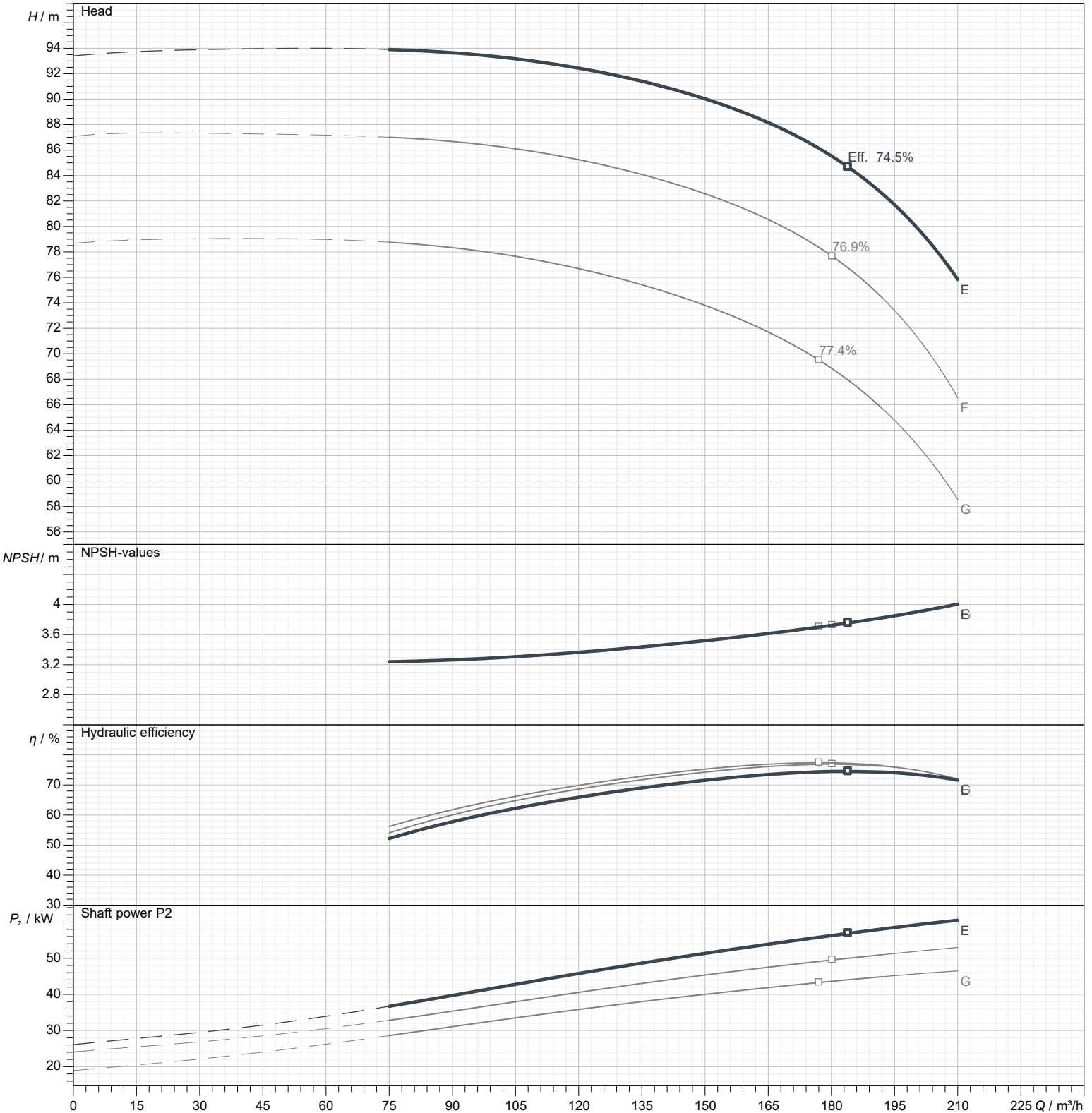


Dimensions in				mm		Total weight				82 kg
a	1"3/8	Da3	18	G	240					
A	515	Dm1	200	H	270					
b	60	Dm2	160	I	130					
B	110	Dm3	18	L	254					
C	111	DNa	100	M	260					
D	130	DNrr	80	x	8					
Da1	220	E	15	y	8					
Da2	180	F	174							

## Performance curves

T3-110E-TW [3200 1/min]

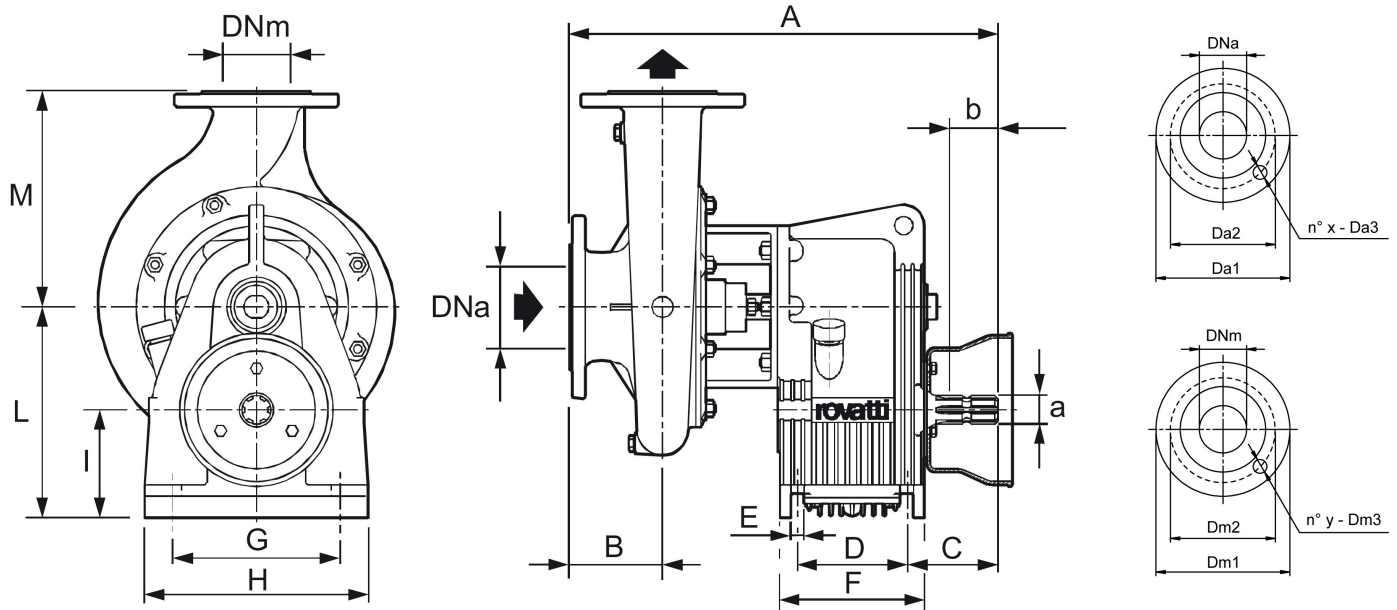
Performances				
Speed		3200 1/min	Density	998 kg/m <sup>3</sup>
Flow	Min.	75 m <sup>3</sup> /h	Viscosity	1 mm <sup>2</sup> /s
	Max.	192 m <sup>3</sup> /h	Temperature	20 °C
Efficiency	Max.	184 m <sup>3</sup> /h	Tolerances	ISO 9906 Grade 3B





## Types of installation

T3-110E-TW [3200 1/min]



Total weight		82 kg		Dimensions in mm	
a	1"3/8	x	8		
A	515	y	8		
b	60				
B	110				
C	111				
D	130				
Da1	220				
Da2	180				
Da3	18				
Dm1	200				
Dm2	160				
Dm3	18				
DNa	100				
DNm	80				
E	15				
F	174				
G	240				
H	270				
I	130				
L	254				
M	260				